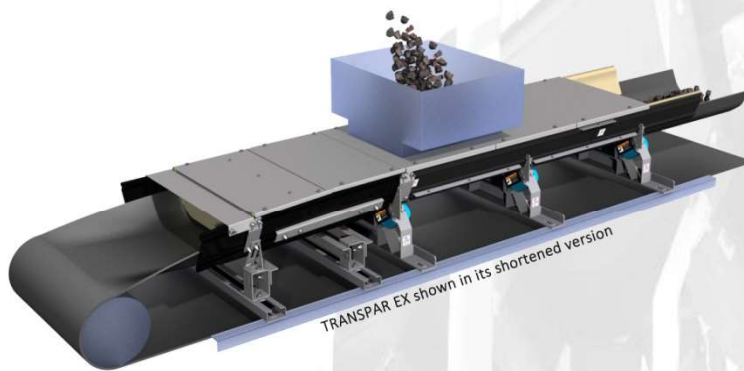




TRANSPAR EX

Advantages

- ◆ Provides effective protection from airborne dust particles that pose a risk to workers' health and the environment.
- ◆ Reduces frequency and costs of maintenance operations.
- ◆ Optimizes dust control by minimizing air intake when your system is depressurized, even for long belts or if different equipment (conveyors, screens, crushers, etc.) is involved.



Belt conveyor sealing system

The TRANSPAR EX is our most versatile low-maintenance belt conveyor containment system.

The TRANSPAR EX is suitable for the transfer and handling of bulk material by belt conveyor and can be installed at a loading zone under a screen or crusher. The TRANSPAR EX may be combined with a SPARMAT impact bed for heavier loads.

The TRANSPAR EX comprises polyethylene guide rails, soft rubber skirts and a galvanized steel chassis and hoods.

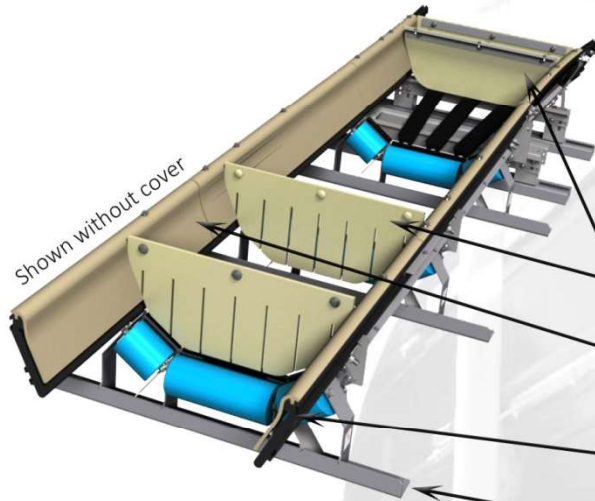
- ✓ May be integrated into new or existing conveyors.
- ✓ Compatible for 24" to 72" wide belts.
- ✓ Does not use more power than a standard sealing system for the same length.

Contact us to ensure your conveyor is compatible with the TRANSPAR EX containment system.



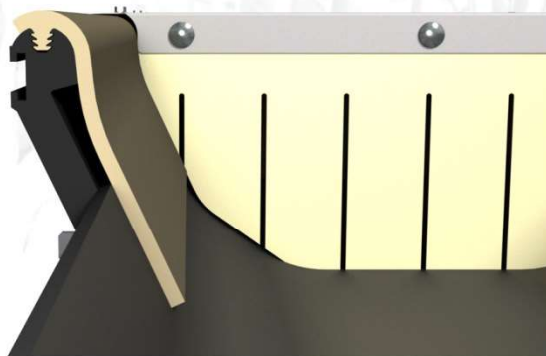
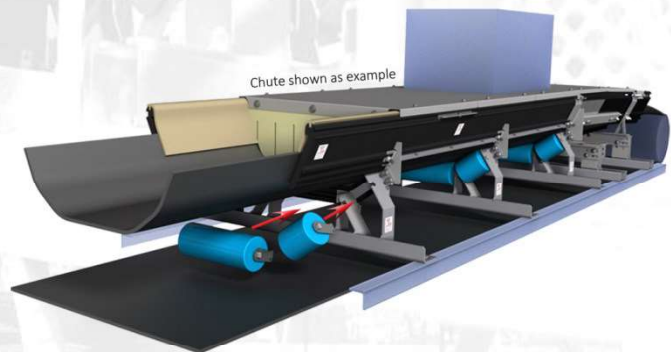
Design

The TRANSPAR EX containment system is built to last. The sturdy and resistant materials used in its construction guarantee its longevity, as well as extend the lifespan of your installations.



- double rubber skirts at the belt entry and exit.
- Self adjusting inside rubber skirts.
- Polyethylene guiding rails.
- Galvanized steel components.

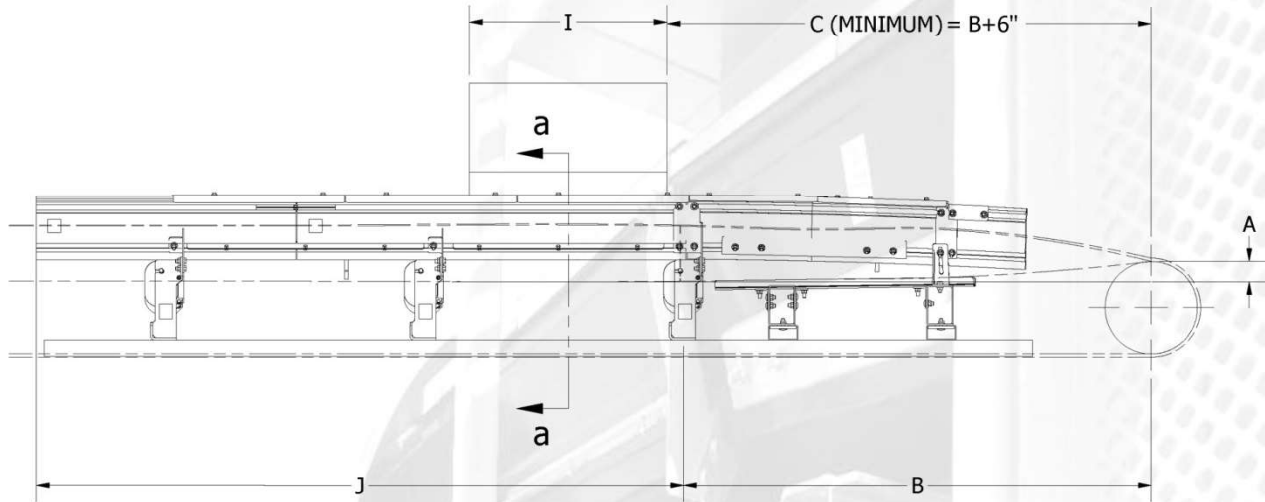
- For better safety and ease of maintenance, rollers may be replaced without lifting the belt.
- TRANSPAR EX is available with 5" or 6" CEMA C, D or E idlers depending on your process and on the conveyor's belt width. TRANSPAR idlers may also be equipped with heavier rollers if required.



The TRANSPAR EX requires only minimal maintenance. The double rubber skirts at the belt entry and exit points and the permanent contact between the belt and outside slide rails create a nearly permanent contained space on the conveyor. Spillage is eliminated by the self-adjusting inside skirts. The outside slide panels have a very long lifespan.

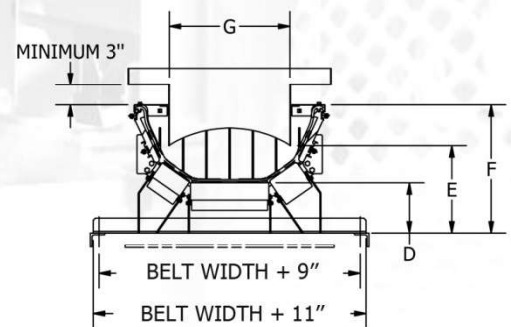


General layout



BELT WIDTH	A	B(MINIMUM)	D	E	F	G
24"	2 1/4" - 2 1/2"	56"	8 1/2"	12 1/2"	20"	11"
24"	0	84"	8 1/2"	12 1/2"	20"	11"
30"	2 3/4" - 3"	72"	9"	15"	22"	15"
30"	0	105"	9"	15"	22"	15"
36"	2 3/4" - 3"	72"	9"	15"	22"	21"
36"	0	105"	9"	15"	22"	21"
42"	3 1/2" - 3 3/4"	90"	9"	17 1/2"	24"	25"
42"	0	135"	9"	17 1/2"	24"	25"
48"	3 1/2" - 3 3/4"	90"	9"	17 1/2"	24"	31"
48"	0	135"	9"	17 1/2"	24"	31"

SECTION a-a



A : Pulley raising

E : Distance from the conveyor's chassis and the chute's side plates' lower edges

G: Chute's recommended maximum width

A, B, C distances to be used with fabric belts and minimum belt troughability of 45°. Refer to your belt manufacturer spec sheet.

On light duty applications, C may be reduced to a minimum distance of B-20".

Dimension "I" and "J" will vary upon the conveyor/chute/dust collector pipe arrangement.

We do not warrant that our guards will meet all local codes. It is the responsibility of the end user to have them checked by a local inspector.